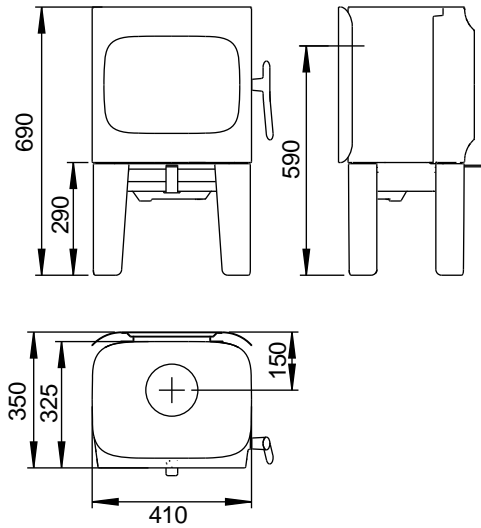


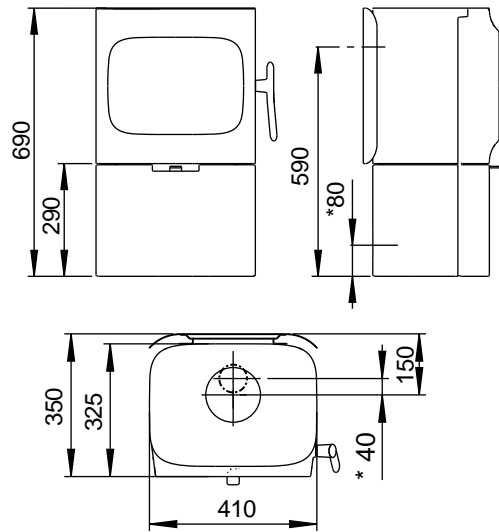
Fig. 1 a

Jøtul F 105

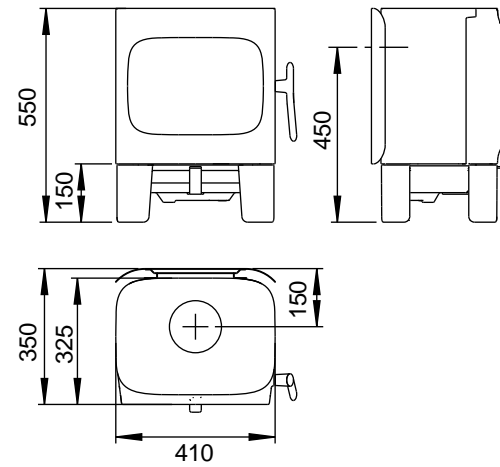
Jøtul F 105 with long legs



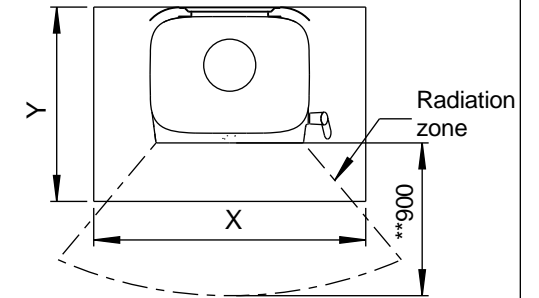
Jøtul F 105 with base



Jøtul F 105 with short legs



Floorplate

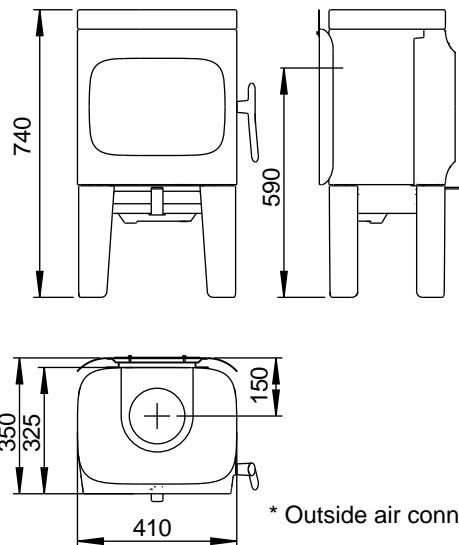


Min. measurements floorplate

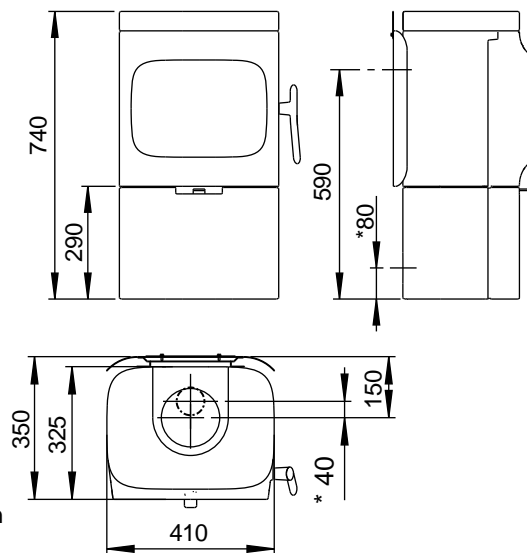
X / Y= According to national laws and regulations

** Min. distance to furniture / combustible material

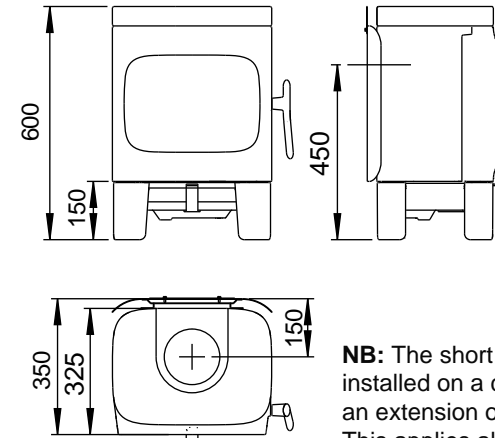
Jøtul F 105 long legs and soapstone top



Jøtul F 105 with base and soapstone top



Jøtul F 105 with short legs and soapstone top

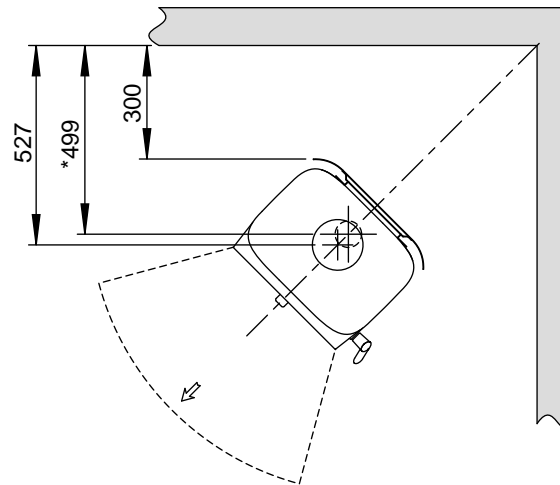
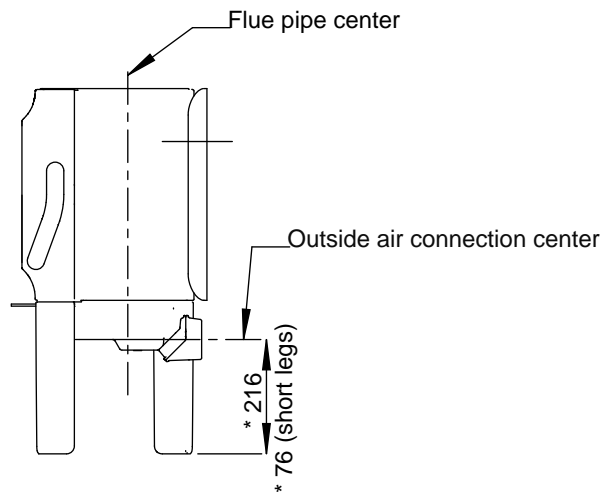
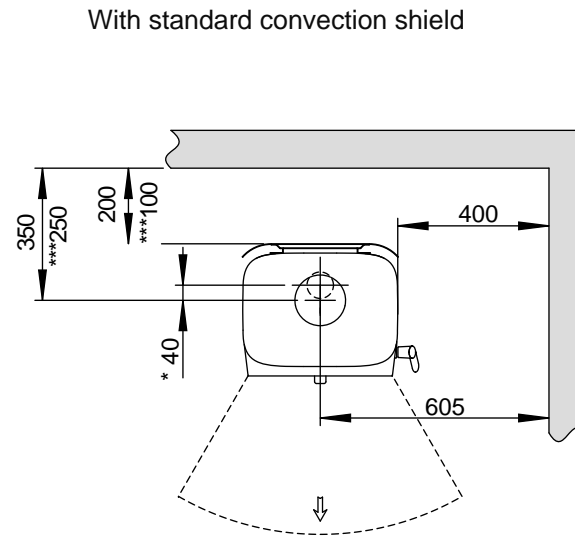
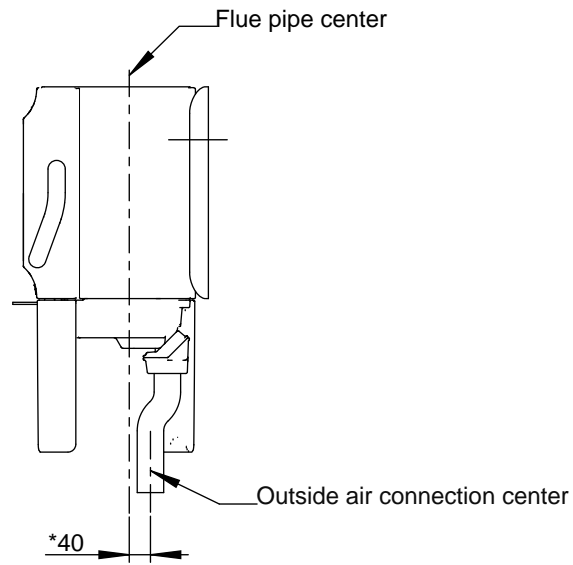


NB: The short legged version (F 105 SL) can only be installed on a constructional hearth which must have an extension of minimum 500 mm in front of the stove. This applies also if the product rests on a floor plate.

For further information please see Approved Document J2010 Section 2.22.

Fig.1 b

Min. distance to combustible wall



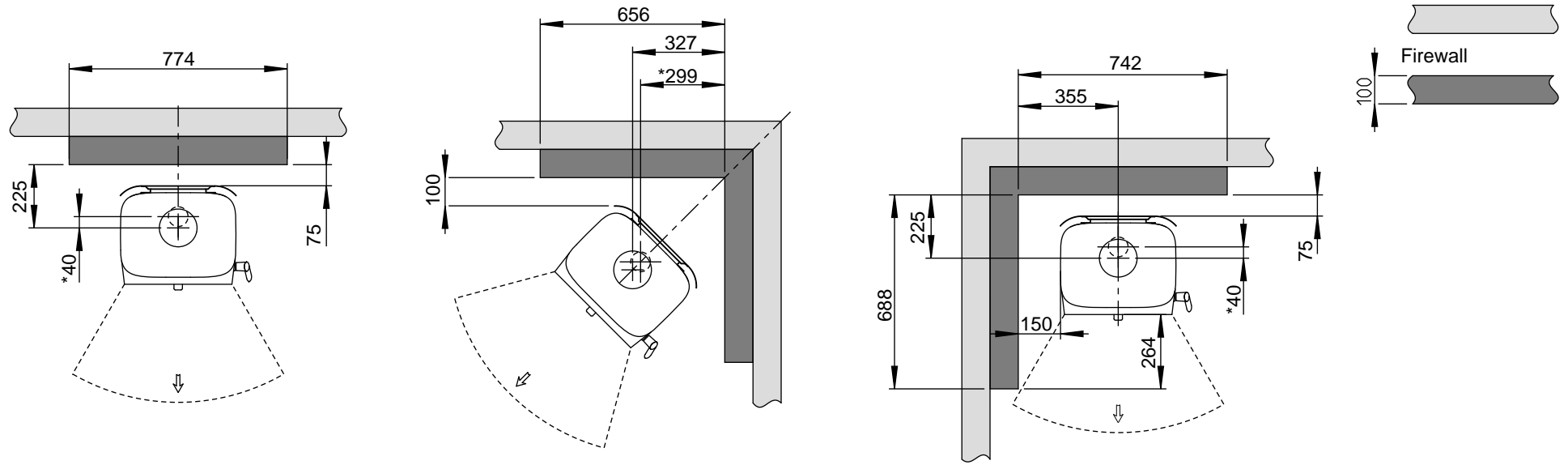
* Outside air connection

*** Distance to combustible wall with semi-insulated / shielded flue pipe (min.30 mm insulation)

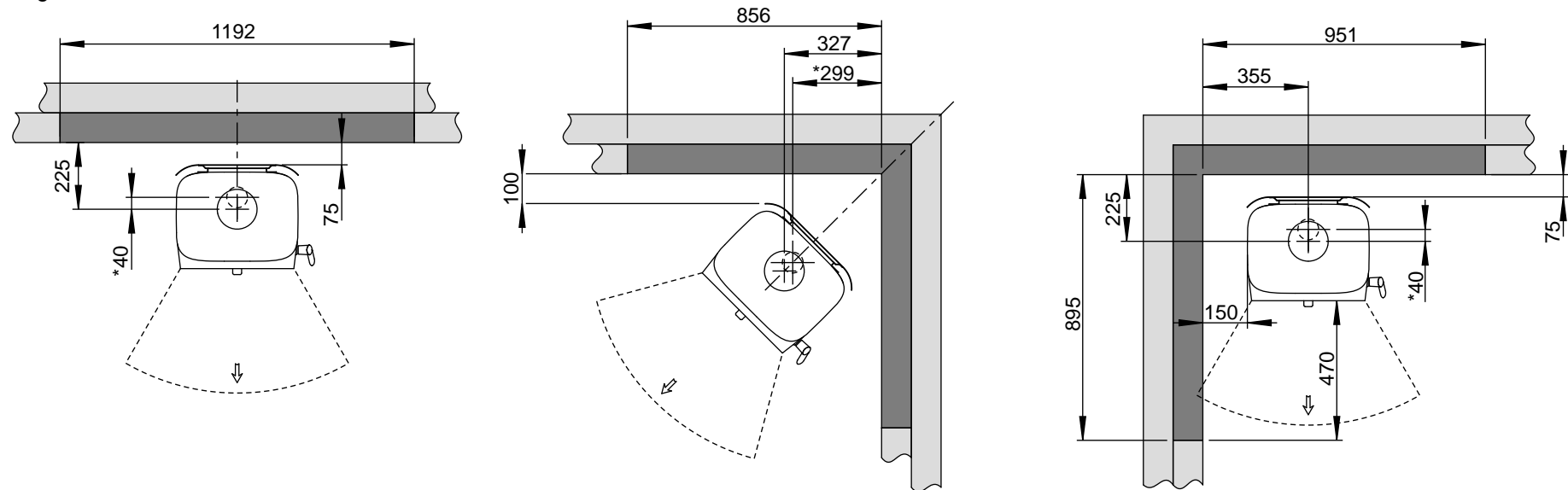
Fig. 1 c

Min. distance to combustible wall protected by firewall

External



Integrated



* Outside air connection