



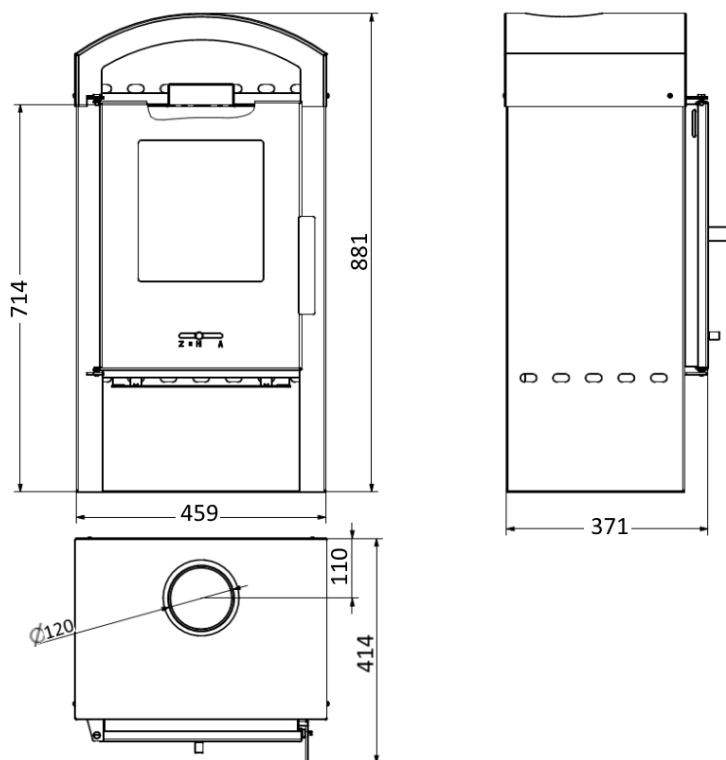
- 8 kW
- Window aircleaning system
- Cast iron grade
- Fireclay firebox
- Flue connection top: 120 mm
- H x W x D: 881x459x414 mm
- For continuous use
- Fuel: wood


Cleaning Air

Wood

Continuous use

Certification	1.+2.Stufe 1.BImSchV, CE, 15aB-VG, VKF
Heat output (kW)	8
Min-max heat output (kW)	4,0-8,2
Heat capacity (m3)	182
Flue gas quantity (g/s)	6,6
Flue gas temperature (C)	285
Air needs Pa	12
Size H x W x D (mm)	881x459x414
Fuel	wood
Window size H x W (mm)	300x278
Firebox size W x D x H (mm)	390x290x300
Net weight (kg)	57,5



Wamsler SE
3100 Salgótarján, Rákóczi út 53-55
www.wamsler.hu